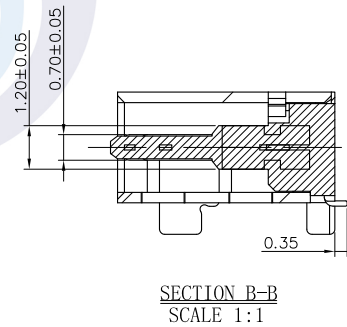
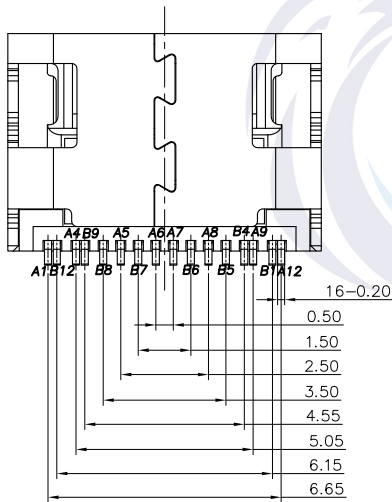
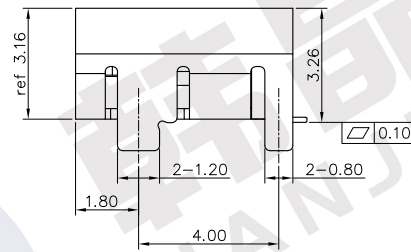
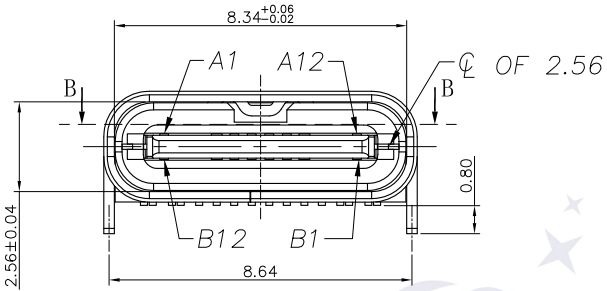
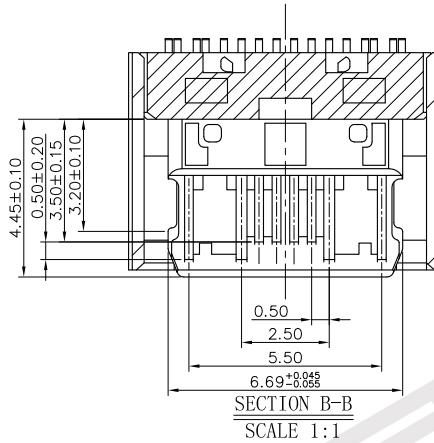
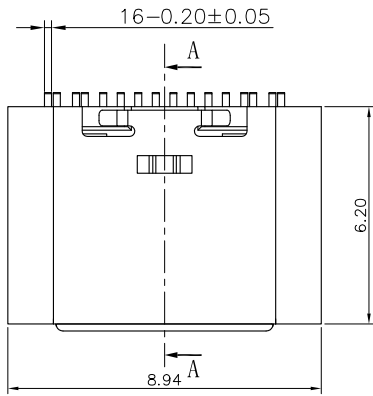

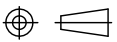


REV.	DESCRIPTION	NAME	DATE
A	NEWS ISSUE	LXH	2020/07/23
B	更换图框	Rain.Yi	2021/06/05

NOTE:

- MATERIAL SPECIFICATION:**
 - HOUSING: HIGH TEMPERATURE RESISTANT PLASTIC, UL94 V-0.
 - CONTACTS: COPPER ALLOY
 - MID PLATE: STAINLESS STEEL
- PLATING SPECIFICATION:**
 - CONTACTS:
 - Ni 50u" MIN. UNDER PLATED OVER ALL.
 - Au PLATED ON THE FUNCTIONAL AREA OF CONTACT.
 - (GOLD PLATING THICKNESS FOLLOW THE P/N)
 - GOLD FLASH PLATING ON SOLDER AREA
 - FRONT SHELL:
 - Ni 30u" MIN. UNDER PLATED OVER ALL.
- MECHANICAL PERFORMANCE,**
 - INSERTION FORCE: 0.5~2.0kgf.
 - REMOVAL FORCE: 0.8kgf~2.0kgf.
 - DURABILITY: 10000 CYCLES.
- ELECTRICAL PERFORMANCE,**
 - CURRENT RATING: 5A
VOLTAGE RATING: 20V
 - INSULATION RESISTANCE: 100MΩ MIN
 - DIELECTRIC WITHSTAND VOLTAGE, AC 100V FOR 1 MINUTE.
 - LOW CONTACT RESISTANCE: INITIAL 40MΩ
AFTER 50MΩ
- ENVIRONMENTAL PERFORMANCE:**
 - OPERATING TEMPERATURE: -30°C~+80°C.
- IR REFLOW:**
 - THE PEAK TEMPERATURE ON THE BOARD SHALL BE MAINTAINED FOR 10 SECONDS AT 260°C.



TOLERANCE UNSPECIFIED		 东莞市韩晶电子有限公司		
.0	±0.35			
.00	±0.25	TITLE: USB TYPE C 16PIN, L-6.20mm 板上型		
.000	±0.15	SIZE: A4	UNIT: mm.	PART. NO: UCRO6-1162X-00BR
X. °	±2.00°	DRAWN DATE: RainYi 2021/06/05		SCALE: 1:1
ASSEMBLY DRAWING		CHECKED DATE: RainYi 2021/06/05		PROJECTION 
APPROVED DATE: LCY 2021/06/05		DWG PATH: C00-0000-0069		REV.: B
				PATH 1/3

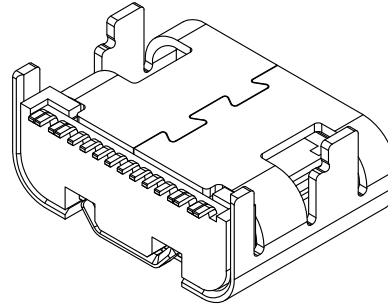
REV.	DESCRIPTION	NAME	DATE
A	NEWS ISSUE	LXH	2020/07/23
B	更换图框	Rain.Yi	2021/06/05

7.P/N: UCR06-1162X-00BR

16:16 PIN

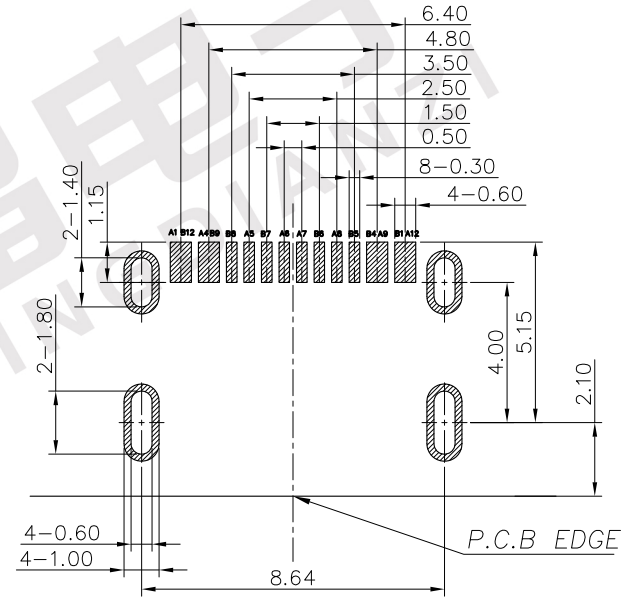
B:Blck
N:NATURE

- 1: GOLD FLASH PLATING ON CONTACT AREA,
GOLD FLASH PLATING ON SOLDER AREA
- 3: 3u" PLATING ON CONTACT AREA,
GOLD FLASH PLATING ON SOLDER AREA
- 5: 5u" PLATING ON CONTACT AREA,
GOLD FLASH PLATING ON SOLDER AREA




USB TYPE-C PIN ASSIGNMENTS

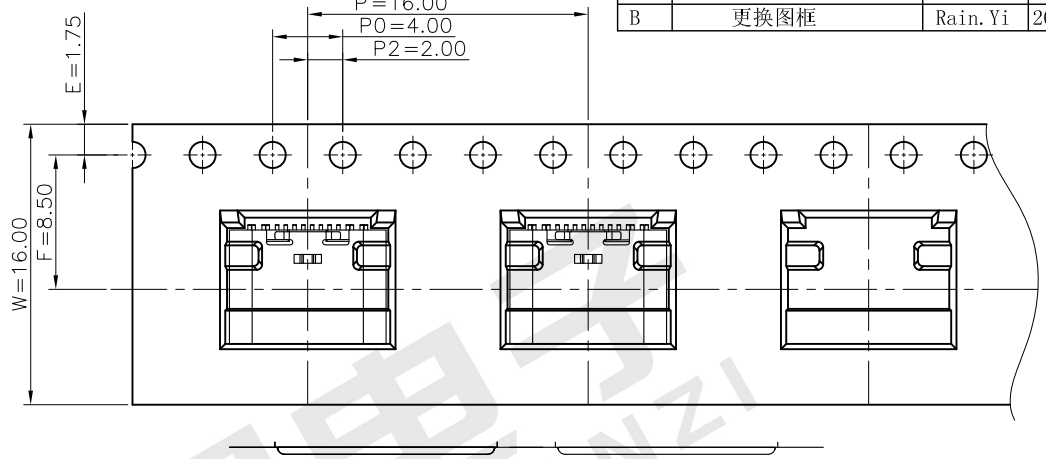
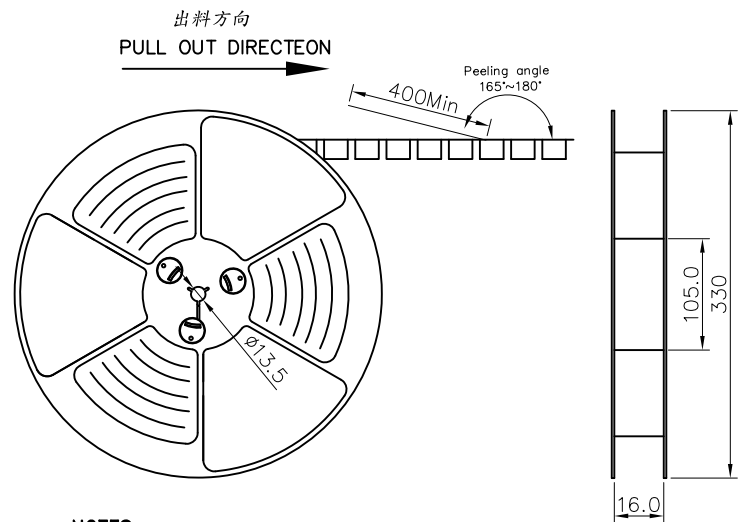
PIN NUMBER	SIGNAL NAME	PIN NUMBER	SIGNAL NAME
A1	GND	B12	GND
A4	VBUS	B9	VBUS
A5	CC1	B8	SBU2
A6	Dp1	B7	Dn2
A7	Dn1	B6	Dp2
A8	SBU1	B5	CC2
A9	VBUS	B4	VBUS
A12	GND	B1	GND



RECOMMEND P.C.B LAYOUT(COMPONENT SIDE)
TOLERANCE FOR PCB LAYOUT IS ± 0.05

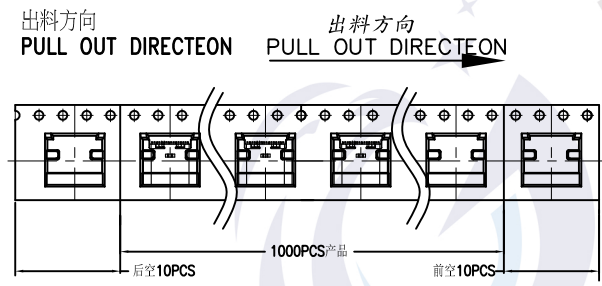
TOLERANCE UNSPECIFIED .0 ±0.35 .00 ±0.25 .000 ±0.15 X.° ±2.00° ASSEMBLY DRAWING		 东莞市韩晶电子有限公司		
		TITLE: USB TYPE C 16PIN, L-6.20mm 板上型		
DRAWN DATE	RainYi 2021/06/05	SIZE:A4	UNIT:mm.	PART.NO: UCR06-1162X-00BR
CHECKED DATE	RainYi 2021/06/05	SCALE: 1:1	PROJECTION	REV.: B
APPROVED DATE	LCY 2021/06/05	DWG PATH	C00-0000-0069	
				PATH 2/3

REV.	DESCRIPTION	NAME	DATE
A	NEWS ISSUE	LXH	2020/07/23
B	更换图框	Rain. Yi	2021/06/05



NOTES

1. 帶子引導長度
LEAD TAPE LENGTH
出料方向
PULL OUT DIRECTEON



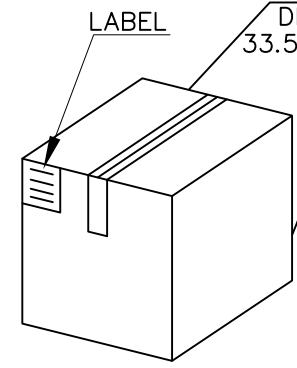
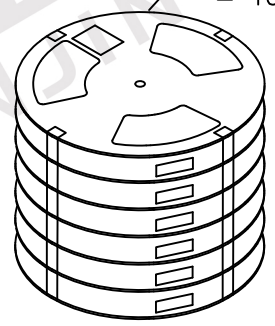
2. 上帶 剝力力為：0.1~1.3N(10.2gf~130gf)
PEELING OFF FORCE OF TOP TAPE:0.1~1.3N(10.2gf~130gf)
出貨運輸過程中一定注意：
THIS REQUIREMENT SHOULD BE APPLIED AT SHIPMENT：
卷帶在運輸過程中不能散開
PEELING OFF SHOULD NOT BE ALLOWED DURING TRANSPORTATION

TAPE & REEL 10 PCS

1 REEL
= 1000 PCS

BOX

DIMENSIONS:
33.5X33.5X30.5



1 CARTON
=14 REELS
=14000 PCS

包裝明細表 (The detail of the packing)						
產品料號 (Product No.)	包裝容量 (Packing Capacity)			重量 Weight (Kg)		
	pcs/box	boxs/Carton	Pcs/Box	N.W./Pcs	N.W./Box	G.W./Box
UCR06-1161X-00XR	1000	14	14000	---	---	---

TOLERANCE UNSPECIFIED				东莞市韩晶电子有限公司	
.0	±0.35	TITLE: USB TYPE C 16PIN, L-6.20mm 板上型			
.00	±0.25	SIZE:A4	UNIT:mm.	PART. NO: UCR06-1162X-00BR	
.000	±0.15	DRAWN DATE: RainYi 2021/06/05		CHECKED DATE: RainYi 2021/06/05	
X.°	±2.00°	SCALE: 1:1		PROJECTION	
ASSEMBLY DRAWING		APPROVED DATE: LCY 2021/06/05		REV.: B	
		DWG	PATH	C00-0000-0069	
				PATH 3/3	