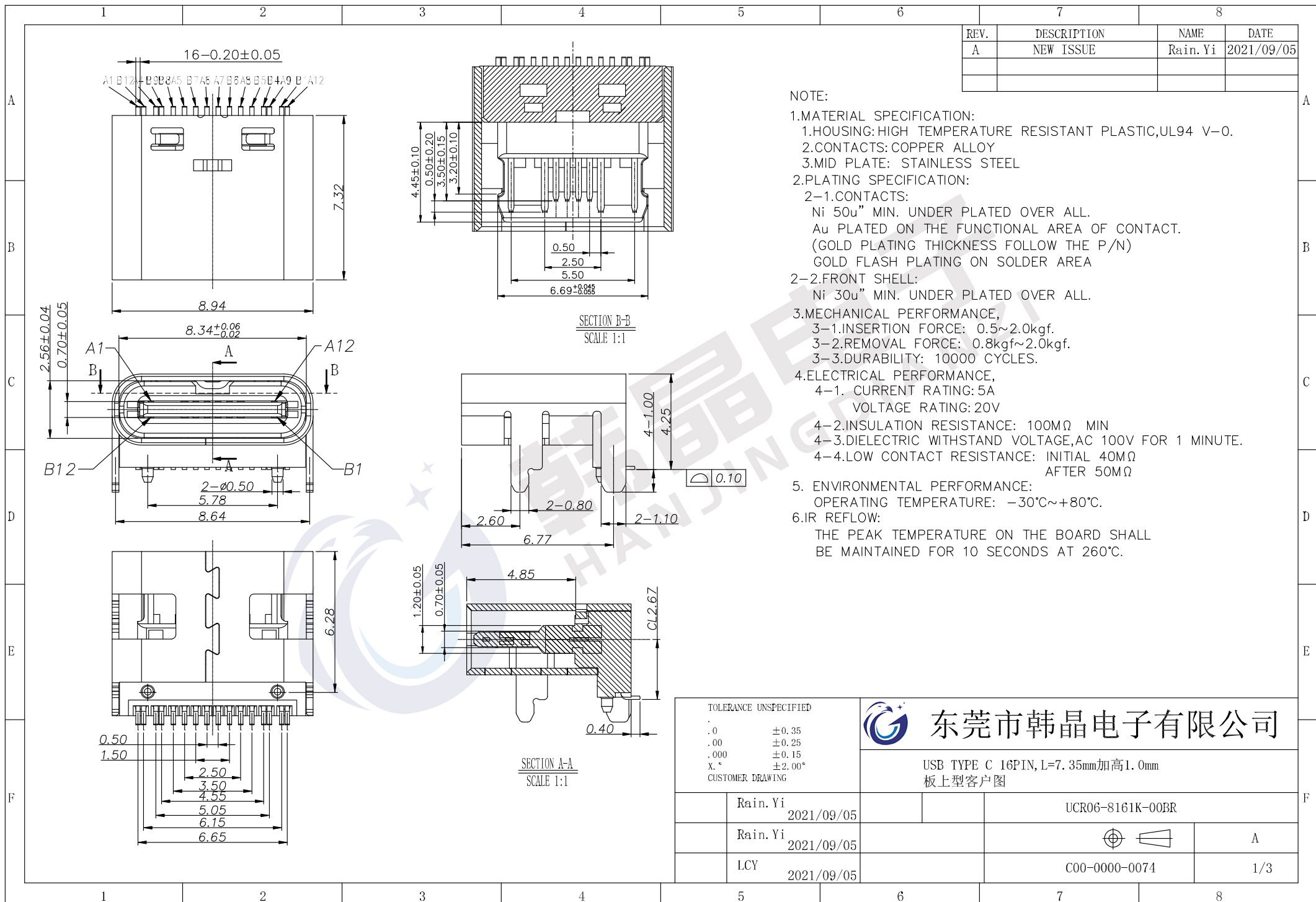



REV.	DESCRIPTION	NAME	DATE
A	NEW ISSUE	Rain.Yi	2021/09/05

NOTE:

- MATERIAL SPECIFICATION:
  - HOUSING: HIGH TEMPERATURE RESISTANT PLASTIC, UL94 V-0.
  - CONTACTS: COPPER ALLOY
  - MID PLATE: STAINLESS STEEL
- PLATING SPECIFICATION:
  - CONTACTS:
    - Ni 50u" MIN. UNDER PLATED OVER ALL.
    - Au PLATED ON THE FUNCTIONAL AREA OF CONTACT.
    - (GOLD PLATING THICKNESS FOLLOW THE P/N)
    - GOLD FLASH PLATING ON SOLDER AREA
  - FRONT SHELL:
    - Ni 30u" MIN. UNDER PLATED OVER ALL.
- MECHANICAL PERFORMANCE,
  - INSERTION FORCE: 0.5~2.0kgf.
  - REMOVAL FORCE: 0.8kgf~2.0kgf.
  - DURABILITY: 10000 CYCLES.
- ELECTRICAL PERFORMANCE,
  - CURRENT RATING: 5A  
VOLTAGE RATING: 20V
  - INSULATION RESISTANCE: 100MΩ MIN
  - DIELECTRIC WITHSTAND VOLTAGE, AC 100V FOR 1 MINUTE.
  - LOW CONTACT RESISTANCE: INITIAL 40MΩ  
AFTER 50MΩ
- ENVIRONMENTAL PERFORMANCE:
  - OPERATING TEMPERATURE: -30°C~+80°C.
- IR REFLOW:
  - THE PEAK TEMPERATURE ON THE BOARD SHALL BE MAINTAINED FOR 10 SECONDS AT 260°C.



TOLERANCE UNSPECIFIED	
.0	±0.35
.00	±0.25
.000	±0.15
X.°	±2.00°
CUSTOMER DRAWING	

 **东莞市韩晶电子有限公司**

USB TYPE C 16PIN, L=7.35mm加高1.0mm  
板上型客户图

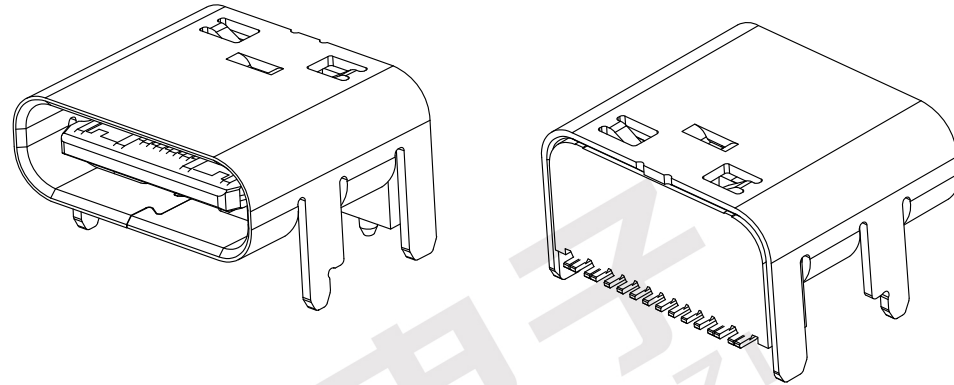
Rain.Yi	2021/09/05	UCR06-8161K-00BR	
Rain.Yi	2021/09/05		A
LCY	2021/09/05	C00-0000-0074	1/3

7.P/N: UCR06-8161X-00XR

16:16 PIN

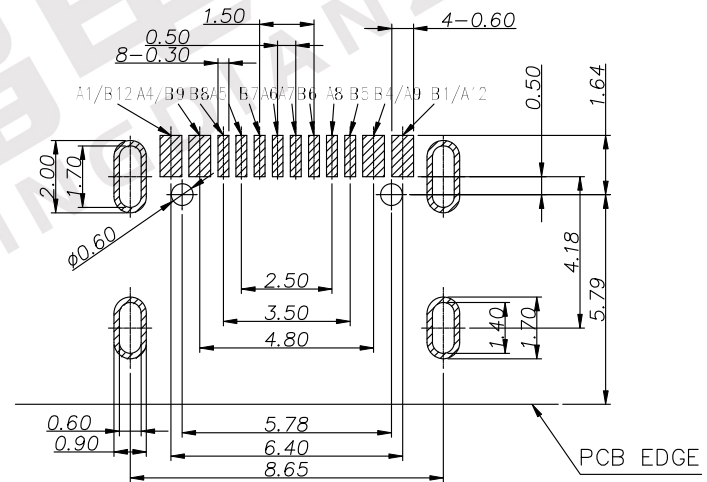
B:Black  
N:NATURE

- 1: GOLD FLASH PLATING ON CONTACT AREA,  
GOLD FLASH PLATING ON SOLDER AREA
- 3: 3u" GOLD PLATING ON CONTACT AREA,  
GOLD FLASH PLATING ON SOLDER AREA



USB TYPE-C PIN ASSIGNMENTS

PIN NUMBER	SIGNAL NAME	PIN NUMBER	SIGNAL NAME
A1	GND	B12	GND
A4	VBUS	B9	VBUS
A5	CC1	B8	SBU2
A6	Dp1	B7	Dn2
A7	Dn1	B6	Dp2
A8	SBU1	B5	CC2
A9	VBUS	B4	VBUS
A12	GND	B1	GND



RECOMMEND P.C.B LAYOUT(COMPONENT SIDE)  
TOLERANCE FOR PCB LAYOUT IS  $\pm 0.05$

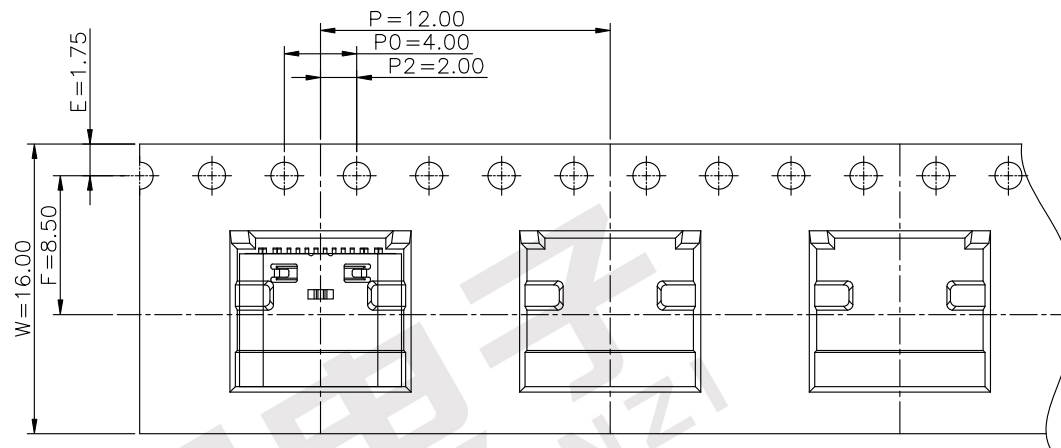
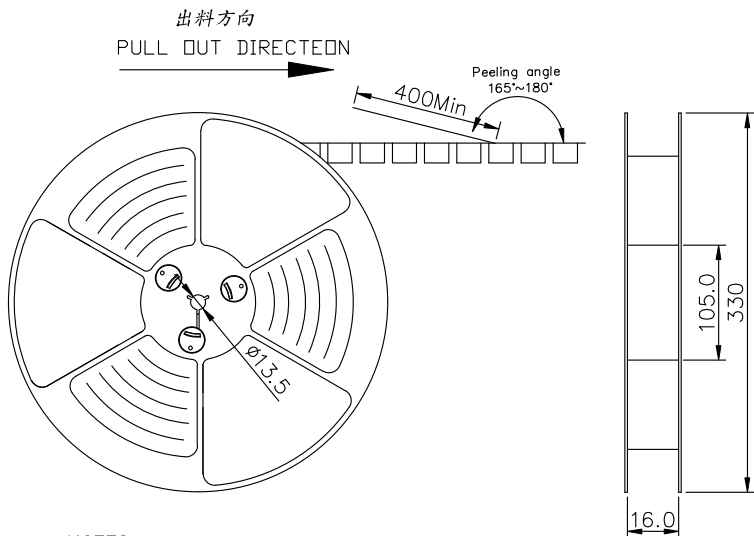
TOLERANCE UNSPECIFIED  
.0  $\pm 0.35$   
.00  $\pm 0.25$   
.000  $\pm 0.15$   
X.°  $\pm 2.00^\circ$   
CUSTOMER DRAWING



东莞市韩晶电子有限公司

USB TYPE C 16PIN, L=7.35mm加高1.0mm  
板上型客户图

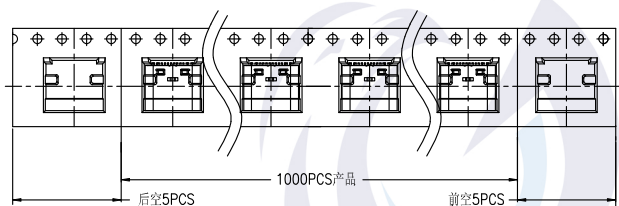
LXH	2021/09/05	UCR06-8161K-00BR	
Rain.Yi	2021/09/05		A
LCY	2021/09/05	C00-0000-0074	2/3



NOTES

1. 帶子引導長度  
LEAD TAPE LENGTH

出料方向  
PULL OUT DIRECTEON

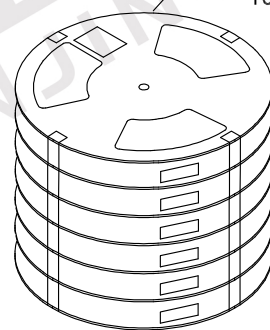


2. 上帶剝力力為：0.1~1.3N(10.2gf~130gf)  
PEELING OFF FORCE OF TOP TAPE:0.1~1.3N(10.2gf~130gf)

出貨運輸過程中一定注意：  
THIS REQUIREMENT SHOULD BE APPLIED AT SHIPMENT：  
卷帶在運輸過程中不能散開  
PEELING OFF SHOULD NOT BE ALLOWED DURING TRANSPORTATION

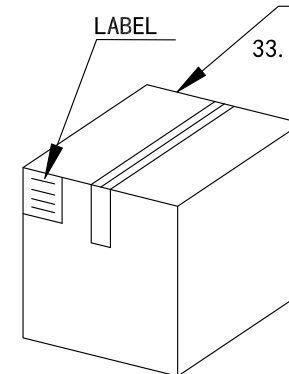
TAPE & REEL 14 PCS

1 REEL  
= 1000 PCS



BOX

DIMENSIONS:  
33.5X33.5X30.5



1 CARTON  
=14 REELS  
=10000 PCS

TOLERANCE UNSPECIFIED

.0 ±0.35  
.00 ±0.25  
.000 ±0.15  
X.° ±2.00°  
CUSTOMER DRAWING



东莞市韩晶电子有限公司

USB TYPE C 16PIN, L=7.35mm加高1.0mm  
板上型客户图

包明表 (The detail of the packing) Carton						
品料 (Product No.)	包容量 (Packing Capacity)			重量 Weight (Kg)		
	pcs/box	boxs/Carton	Pcs/Box	N.W./Pcs	N.W./Box	G.W./Box
UCR02-2161X-00XR	1000	14	14000	----	----	----

LXH	2021/09/05		UCR06-8161K-00BR	
Rain.Yi	2021/09/05			A
LCY	2021/09/05		C00-0000-0074	3/3