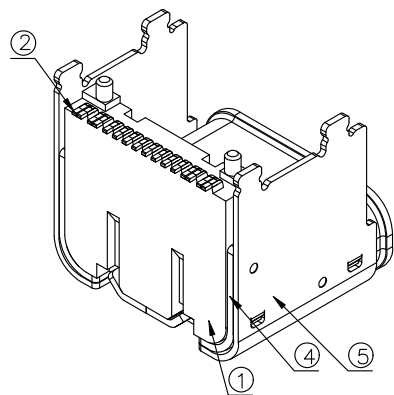
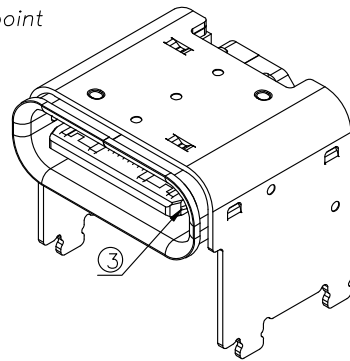
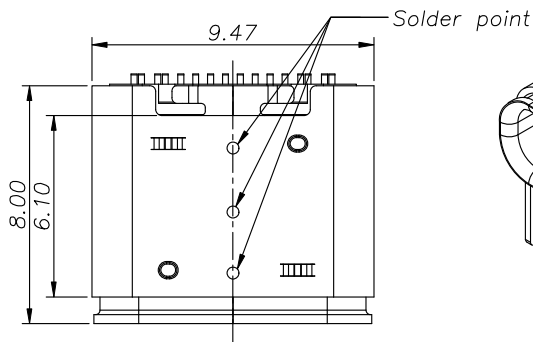
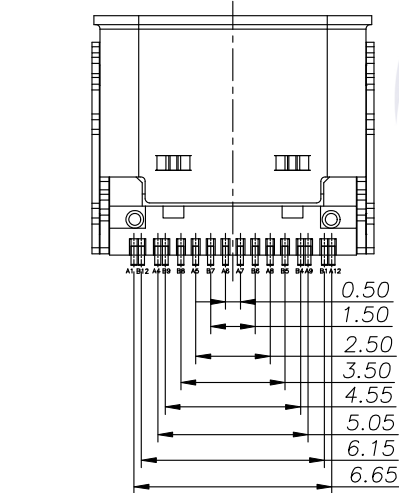
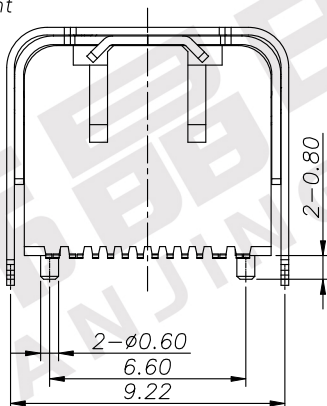
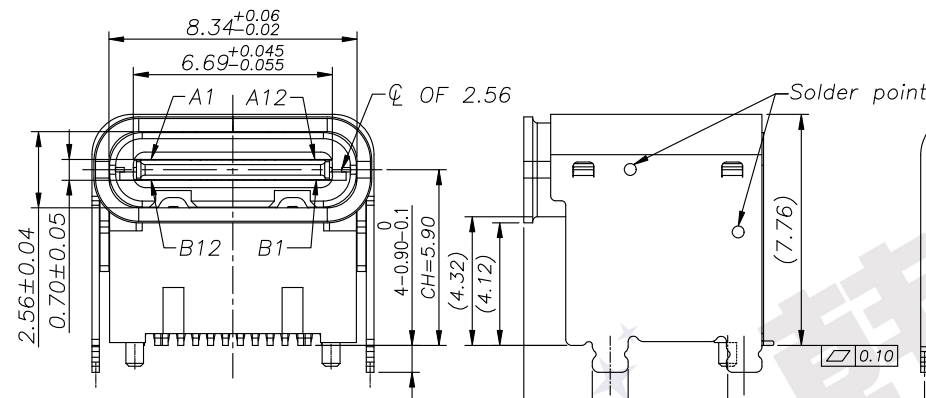


REV.	DESCRIPTION	NAME	DATE
X1	NEWS ISSUE	LXH	2020/03/13



NOTE:

- 1.MATERIAL SPECIFICATION:
 - 1.HOUSING: LCP,UL94 V-0.
 - 2.CONTACTS: C2680,T=0.15mm
 - 3.MID PLATE: SUS301,T=0.15mm
 - 4.INSIDE SHELL: SUS304,T=0.30mm
 - 5.OUTSIDE SHELL: SUS304,T=0.25mm
- 2.PLATING SPECIFICATION:
 - 2-1.CONTACTS:
Ni 50u" MIN. UNDER PLATED OVER ALL.
Au PLATED ON THE FUNCTIONAL AREA OF CONTACT.
(GOLD PLATING THICKNESS FOLLOW THE P/N)
GOLD FLASH PLATING ON SOLDER AREA
 - 2-2.INSIDE SHELL OR OUTSIDE SHELL:
Ni 30u" MIN. UNDER PLATED OVER ALL.
- 3.MECHANICAL PERFORMANCE,
 - 3-1.INSERTION FORCE: 0.5~2.0kgf.
 - 3-2.REMOVAL FORCE: 0.8kgf~2.0kgf.
 - 3-3.DURABILITY: 10000 CYCLES.
- 4.ELECTRICAL PERFORMANCE,
 - 4-1. CURRENT RATING: 5A
VOLTAGE RATING: 20V
 - 4-2.INSULATION RESISTANCE: 100MΩ MIN
 - 4-3.DIELECTRIC WITHSTAND VOLTAGE,AC 100V FOR 1 MINUTE.
 - 4-4.LOW CONTACT RESISTANCE: INITIAL 40MΩ/ AFTER 50MΩ
5. ENVIRONMENTAL PERFORMANCE:
OPERATING TEMPERATURE: -30°C~+80°C.
- 6.IR REFLOW:
THE PEAK TEMPERATURE ON THE BOARD SHALL BE MAINTAINED FOR 10 SECONDS AT 260°C.



TOLERANCE UNSPECIFIED	
.0	±0.35
.00	±0.25
.000	±0.15
X.°	±2.00°
CUSTOMER DRAWING	

东莞市韩晶电子有限公司 Dongguan Hanjin Electronics Co.,Ltd.		TITLE: USB TYPE C 16PIN, 板上垫高4.30mm		
		SIZE:A4	UNIT:mm. PART. NO: UCR04-0161X-00XR	
DRAWN DATE	LXH 2020/03/13	SCALE: 1:1	PROJECTION	REV.: X1
CHECKED DATE	LCY 2020/03/13	DWG PATH	C00-0000-0064	PATH 1/3
APPROVED DATE	LCY 2020/03/13			

7.P/N: UCR04-0161X-00XR

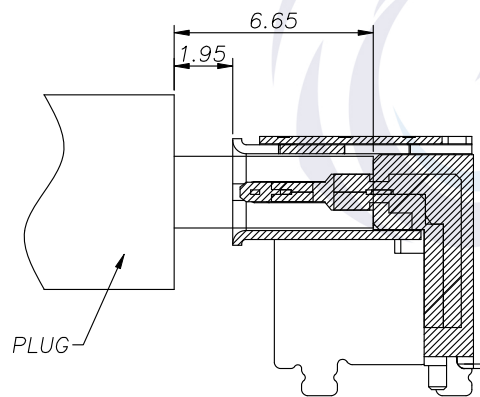
16:16 PIN

B:B1ck
N:NATURE

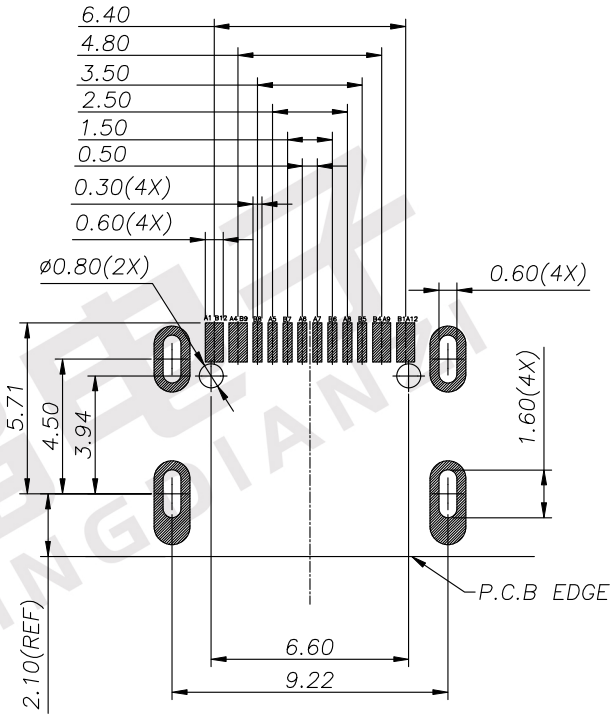
K: GOLD FLASH PLATING ON CONTACT AREA,
GOLD FLASH PLATING ON SOLDER AREA

USB TYPE-C PIN ASSIGNMENTS

PIN NUMBER	SIGNAL NAME	PIN NUMBER	SIGNAL NAME
A1	GND	B12	GND
A4	VBUS	B9	VBUS
A5	CC1	B8	SBU2
A6	Dp1	B7	Dn2
A7	Dn1	B6	Dp2
A8	SBU1	B5	CC2
A9	VBUS	B4	VBUS
A12	GND	B1	GND



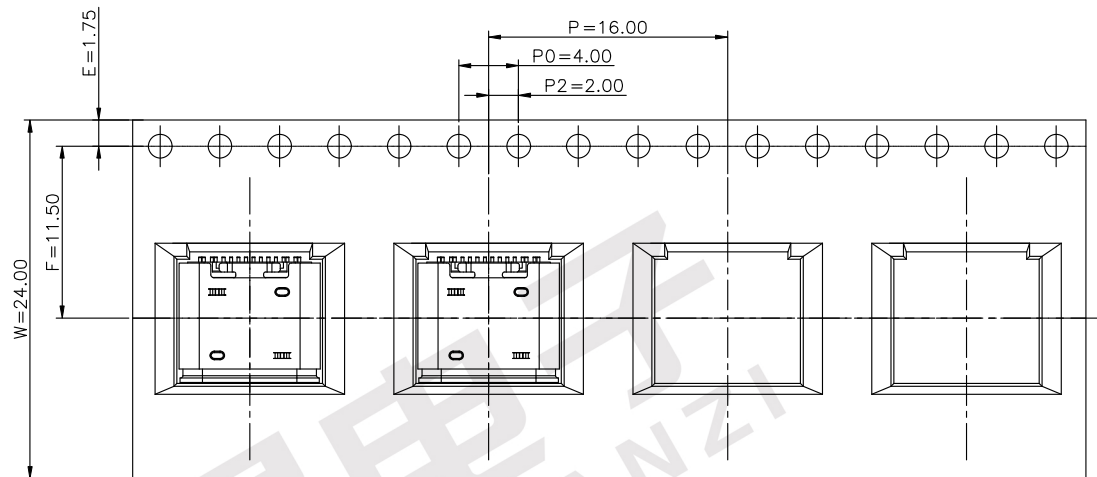
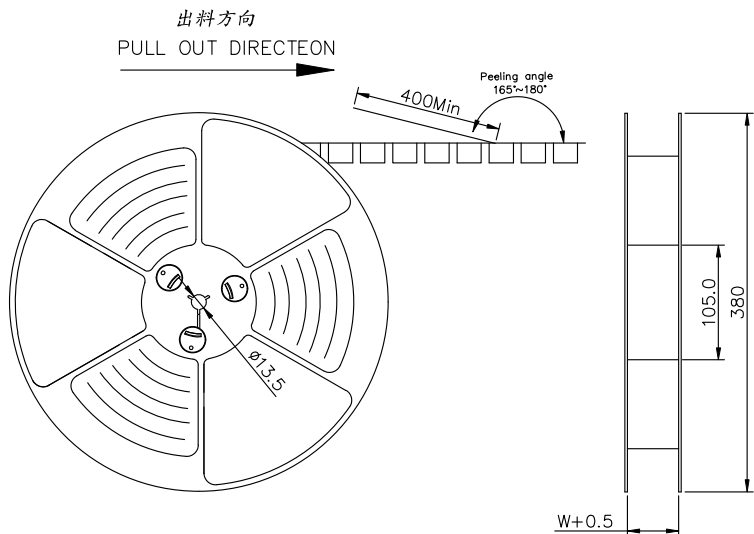
AFTER MATING
SCALE 1:1



RECOMMEND P.C.B LAYOUT(COMPONENT SIDE)

TOLERANCE FOR PCB LAYOUT IS ± 0.05

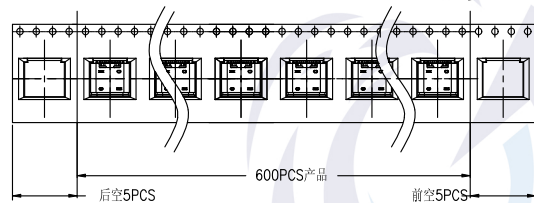
TOLERANCE UNSPECIFIED		 东莞市韩晶电子有限公司 Dongguan Hanjin Electronics Co.,Ltd.			
.0 ±0.35		TITLE: USB TYPE C 16PIN, 板上垫高4.30mm			
.00 ±0.25		DRAWN DATE LXH 2020/03/13		SIZE:A4 UNIT:mm. PART. NO: UCR04-0161X-00XR	
.000 ±0.15		CHECKED DATE LCY 2020/03/13		SCALE: 1:1 PROJECTION  REV.: X1	
X." ±2.00°		APPROVED DATE LCY 2020/03/13		DWG PATH C00-0000-0064 PATH 2/3	
CUSTOMER DRAWING					



NOTES

1. 帶子引導長度
LEAD TAPE LENGTH

出料方向 PULL OUT DIRECTION



2. 上帶剝力為：0.1~1.3N(10.2gf~130gf)
PEELING OFF FORCE OF TOP TAPE: 0.1~1.3N(10.2gf~130gf)

出貨運輸過程中一定注意：

THIS REQUIREMENT SHOULD BE APPLIED AT SHIPMENT：

卷帶在運輸過程中不能散開

PEELING OFF SHOULD NOT BE ALLOWED DURING TRANSPORTATION

TAPE & REEL 7 PCS

1 REEL
= 600 PCS

BOX

DIMENSIONS:
39.5X39.5X20

1 CARTON
= 7 REELS
= 4200 PCS

TOLERANCE UNSPECIFIED	
.0	±0.35
.00	±0.25
.000	±0.15
X.°	±2.00°
CUSTOMER DRAWING	



东莞市韩晶电子有限公司

Dongguan Hanjin Electronics Co., Ltd.

TITLE: USB TYPE C 16PIN,
板上墊高4.30mm

包明表 (The detail of the packing) Carton						
品料 (Product No.)	包容量 (Packing Capacity)			重量 Weight (Kg)		
	pcs/box	boxs/Carton	Pcs/Box	N.W./Pcs	N.W./Box	G.W./Box
UCR04-0161X-00XR	600	7	4200	----	----	----

DRAWN DATE	LXH 2020/03/13	SIZE: A4	UNIT: mm.	PART. NO: UCR04-0161X-00XR		
CHECKED DATE	LCY 2020/03/13	SCALE: 1:1	PROJECTION			REV.: X1
APPROVED DATE	LCY 2020/03/13	DWG PATH	C00-0000-0064		PATH	3/3