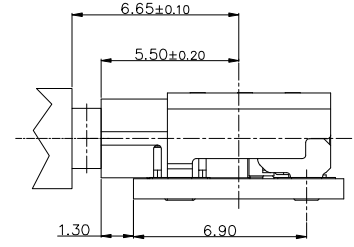
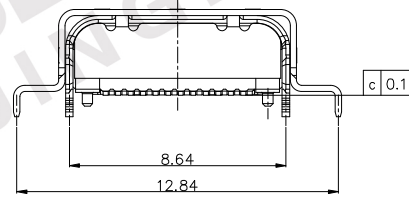
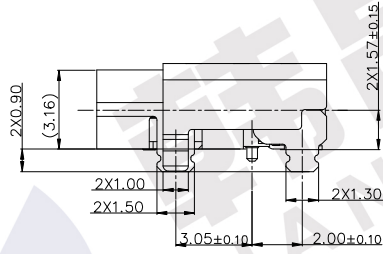
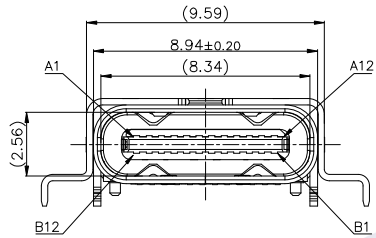
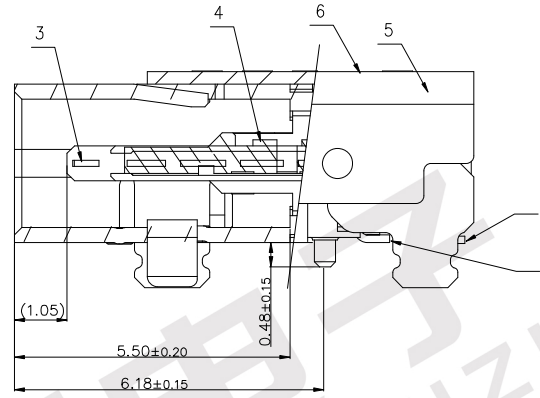
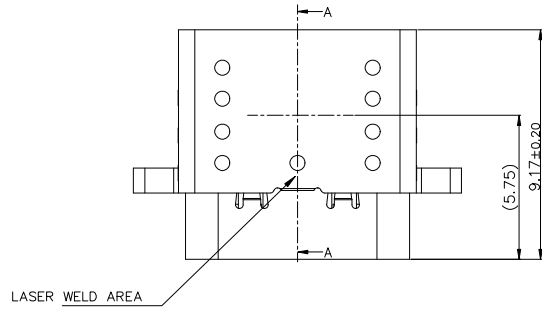


# GP Component

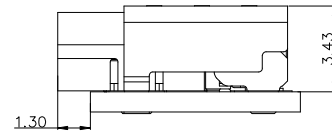
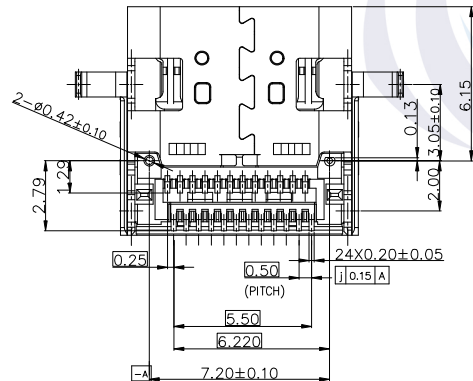
REV.	ECN NO.	LOCATIONS	DESCRIPTION	DATE	DESIGN
AO			原始版本(INITIAL EDITION)	2020.12.15	LIUJUN



Pin 定义:

A1	A2	A3	A4	A5	A6	A7	A8	A9	A10	A11	A12
GND	TX1+	TX1-	Vbus	CC1	D+	D-	SBU1	Vbus	RX2-	RX2+	GND
GND	RX1+	RX1-	Vbus	SBU2	D-	D+	CC2	Vbus	TX2-	TX2+	GND
B12	B11	B10	B9	B8	B7	B6	B5	B4	B3	B2	B1

6	OUT SHELL	1	SUS304	30U" NICKEL PLATING	0.25mm
5	INT SHELL	1	SUS304	30U" NICKEL PLATING	0.3mm
4	MAIN HOUSING	1	HIGH TEMPERATURE	PART BLACK	UL94V-0
3	MID PLATE	1	SUS301	RINSE	0.15mm
2	BOTTOM TERMINAL	1	COPPER ALLOY	MATING SIDE:SEE PART NO;	0.12mm
1	TOP TERMINAL	1	COPPER ALLOY	SOLDER TAIL:GOLD FLASH, 30U" NICKEL OVERALL	0.12mm
ITEM	DESCRIPTION	Q'TY	MATERIAL	FINISH	REMARK

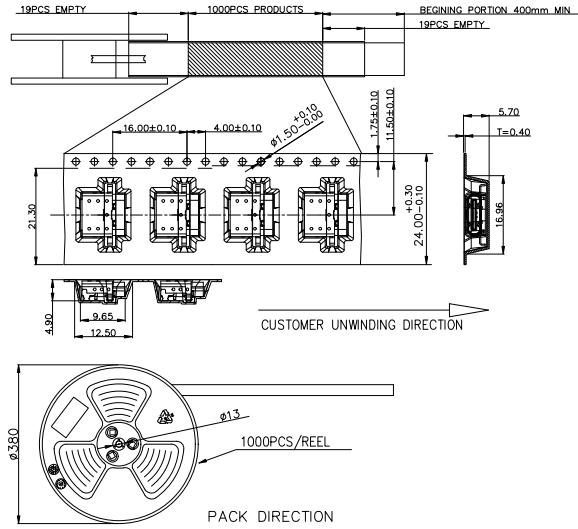


东莞市韩晶电子有限公司

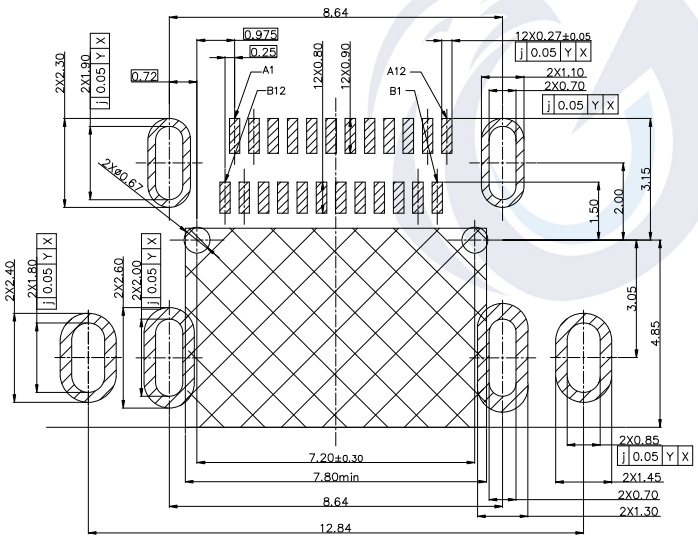
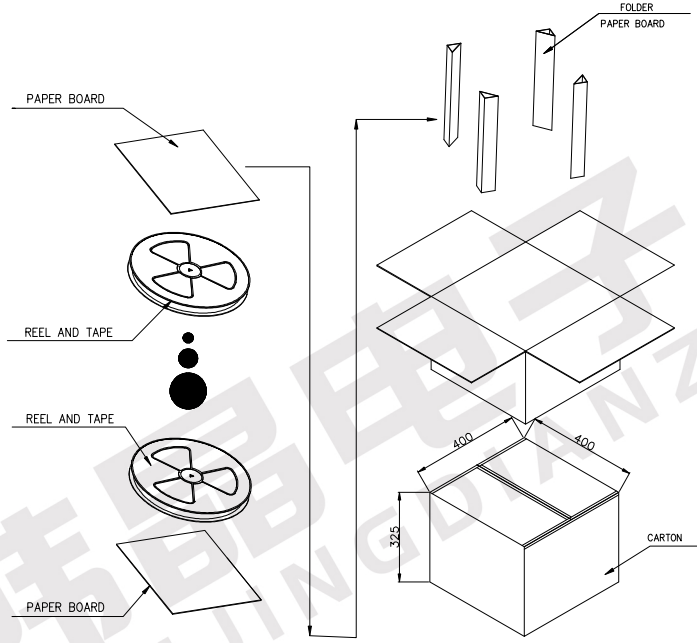
TOLERANCE: X. ±0.30 X.XX ±0.25 X.XXX ±0.15 X." ±1" X.X" ±0.5"	DESIGN BY :	DATE :	PART NAME:
	LIUJUN	2020.12.15	USB4 Type C 母座 有后盖双壳双贴 SMT 板上, CH=1.57, L=9.17壳脚长0.9
UNIT: mm [inch] SCALE:1:1 SIZE:A4	CHECKED BY:	DATE :	PART NO.
			126-F243223 * - B89
	APPROVED BY:	DATE :	MOLD NO.
			DRAW NO.
			SHEET NO.
			01 OF 02

# GP Component

REV.	ECN NO.	LOCATIONS	DESCRIPTION	DATE	DESIGN
AO			原始版本(INITIAL EDITION)	2020.12.15	LIUJUN



PACKING: 1. 1000 PCS/REEL.  
2. 10 REEL/Carton




Recommended PCB Layout(Top View)/推荐的PCB布局(俯视图)  
General Tolerances: ±0.05/一般公差: ±0.05

PART NO.  
126-F243223 \* - B89

H=镀金1u"  
J=镀金3u"  
K=镀金5u"  
M=镀金15u"  
N=镀金30u"

- NOTES/注释:
- MATERIAL/材料: SEE TABLE/见下表
  - GENERAL SPECIFICATION/通用特性:
    - COPLANARITY /共面度: 0.10 Max.
    - CURRENT RATING: 5A / 额定电流: 5安培
    - CONTACT RESISTANCE: 40mΩ MAX (INITIAL).  
INSULATION RESISTANCE: 100MΩ Min  
接触电阻: 40毫欧最大(初始值) / 绝缘电阻: 100MΩ Min
    - DIELECTRIC WITHSTANDING VOLTAGE: 100 VAC  
耐电压: 100 伏交流
    - MECHANICAL CHARACTERISTICS:  
INSERTION FORCE: 5~20N EXTRACTION FORCE: 8~20N  
AFTER DURABILITY EXTRACTION FORCE: 6~20N  
力学特性: 初始插入力: 5~20N 拔出力: 8~20N  
耐久后拔出力: 6~20N



## 东莞市韩晶电子有限公司

TOLERANCE: X. X.X ±0.30 X.XX ±0.25 X.XXX ±0.15 X.' ±1' X.X' ±0.5'	DESIGN BY: LIUJUN	DATE: 2020.12.15	PART NAME: USB4 Type C 母座 有后盖及壳双贴 SMT 板上, CH=1.57, L=9.17壳脚长0.9
	CHECKED BY:	DATE:	PART NO. 126-F243223 * - B89
APPROVED BY:	DATE:	MOLD NO.	
UNIT: mm [inch]		DRAW NO.	
SCALE: 1:1	SIZE: A4	SHEET NO.	02 OF 02