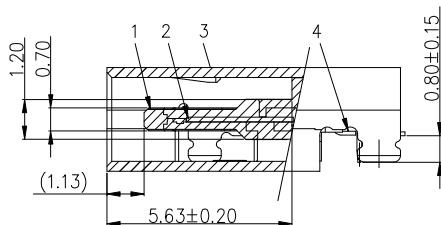
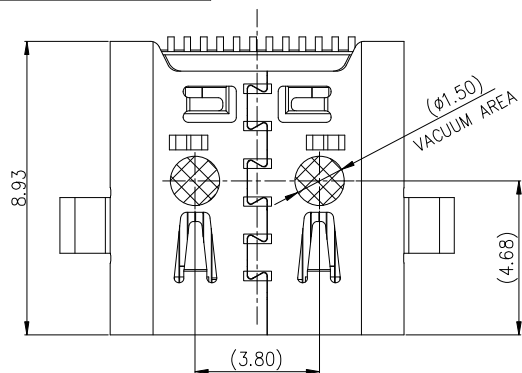


GP Component

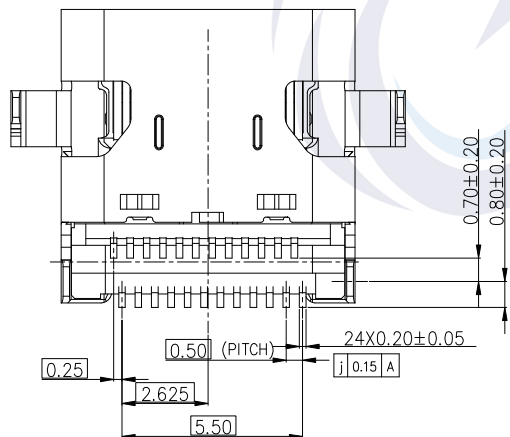
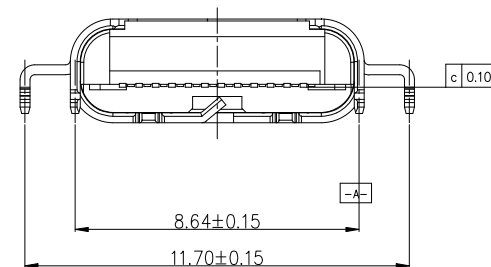
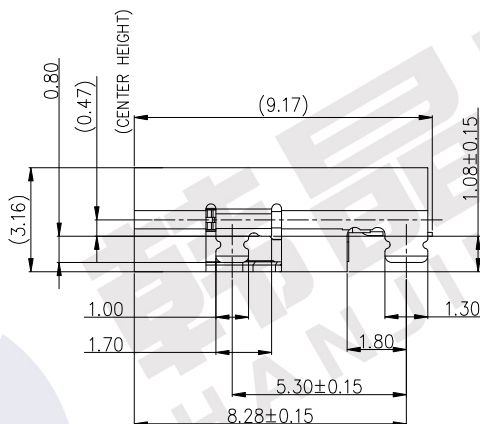
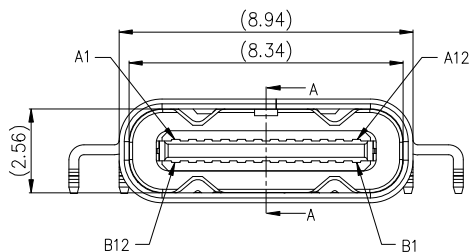
REV.	ECN NO.	LOCATIONS	DESCRIPTION	DATE	DESIGN
AO			原始版本(INITIAL EDITION)	2020.12.15	LIUJUN



NOTE/注释:

1. SPECIFICATION/规格:

- 1.1 Rated current (额定电流): 5.0 A
- 1.2 Voltage rating (额定电压): 5V AC
- 1.3 Contact Resistance (接触阻抗): 40 m Ω Max.
- 1.4 Insulation Resistance (绝缘阻抗): 100MΩ Min.
- 1.5 Withstanding voltage (耐压): 100 VAC/minute
- 1.6 Mating force (插入力): 5~20N
- 1.7 Unmating force (拔出力): 8~20N
- 1.8 Durability Cycle(寿命循环): 10,000 cycle
- 1.9 Operating temperature (工作温度): -40°~+85°



PART NO.
126-F243223 * - B80-A

- H= 镀金1u"
- J= 镀金3u"
- K= 镀金5u"
- M= 镀金15u"
- N= 镀金30u"

PIN ASSIGNMENT

A1	A2	A3	A4	A5	A6	A7	A8	A9	A10	A11	A12
GND	TX1+	TX1-	Vbus	CC1	D+	D-	SBU1	Vbus	RX2-	RX2+	GND
GND	RX1+	RX1-	Vbus	SBU2	D-	D+	CC2	Vbus	TX2-	TX2+	GND
B12	B11	B10	B9	B8	B7	B6	B5	B4	B3	B2	B1

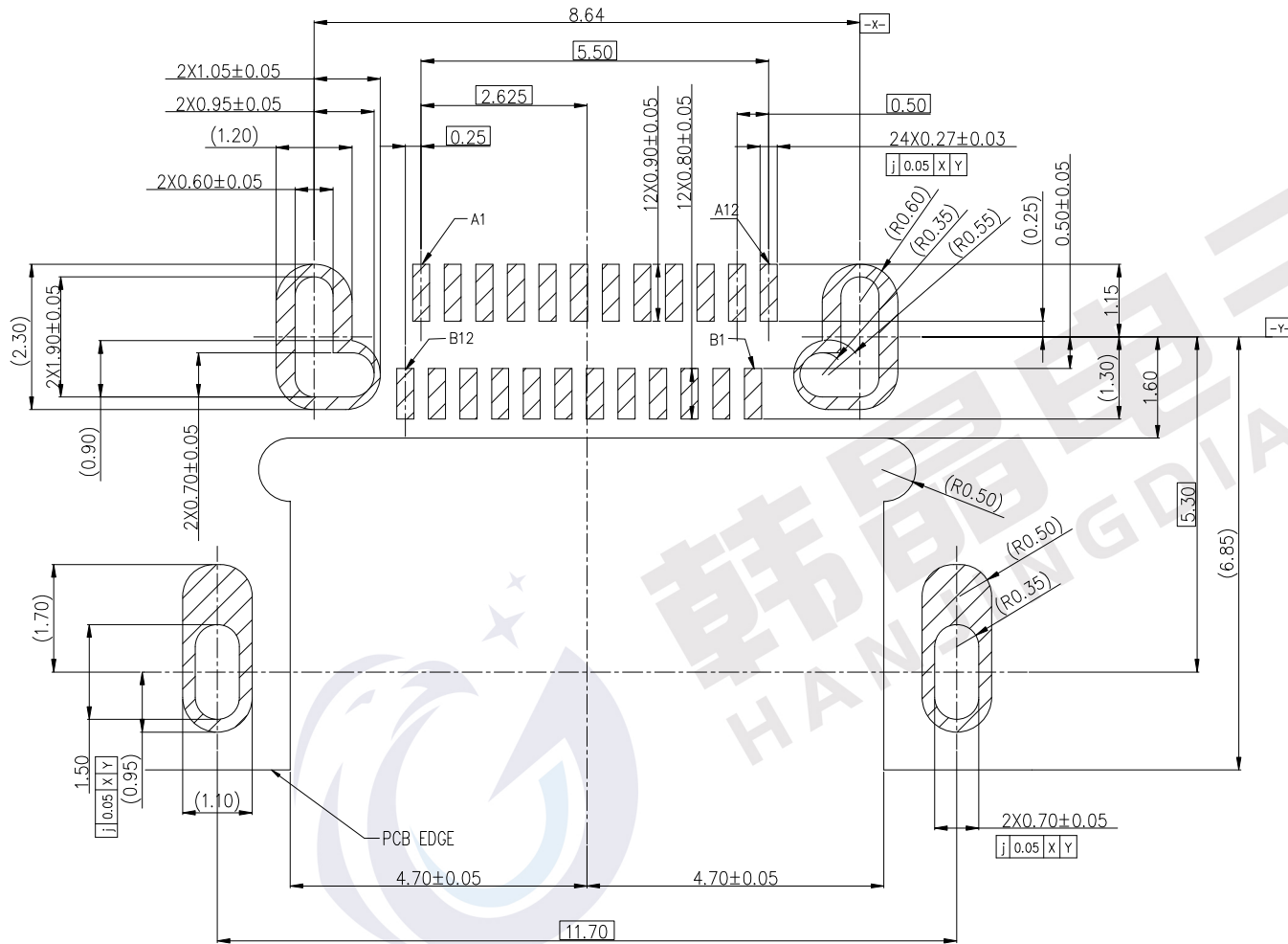


东莞市韩晶电子有限公司

<p>TOLERANCE:</p> <p>X. ±0.30</p> <p>X.X ±0.25</p> <p>X.XX ±0.20</p> <p>X.XXX ±0.15</p> <p>X.* ±1*</p>	<p>DESIGN BY :</p> <p style="text-align: center;">LIUJUN</p>	<p>DATE :</p> <p style="text-align: center;">2020.12.15</p>	<p>PART NAME:</p> <p>USB4 Type C 母座 无后盖 单壳</p> <p>双峰SMT 沉板无IP 间距H=0.5,L=9.17</p>
<p>UNIT: mm [inch]</p> <p>SCALE: 1:1</p>	<p>CHECKED BY:</p>	<p>DATE :</p>	<p>PART NO. 126-F243223 - B80-A</p>
<p>APPROVED BY:</p>	<p>DATE :</p>	<p>DRAW NO.</p>	<p>SHEET NO. 01 OF 03</p>

GP Component

REV.	ECN NO.	LOCATIONS	DESCRIPTION	DATE	DESIGN
A0			原始版本(INITIAL EDITION)	2020.12.15	LIUJUN



ITEM	DESCRIPTION	Q'TY	MATERIAL	FINISH	REMARK
4	TERMINAL	24	COPPER ALLOY	MATING SIDE:SEE PART NO; SOLDER TAIL:Gold FLASH, 50u" NICKEL OVERALL.	T=0.12
3	SHELL	1	SUS304	30U" NICKEL PLATING	T=0.30
2	MID PLATE	1	SUS301-H	RINSE	T=0.15
1	MAIN HOUSING	1	HIGH TEMPERATURE	PA9T BLACK	UL94V-0
BILL OF MATERIAL					

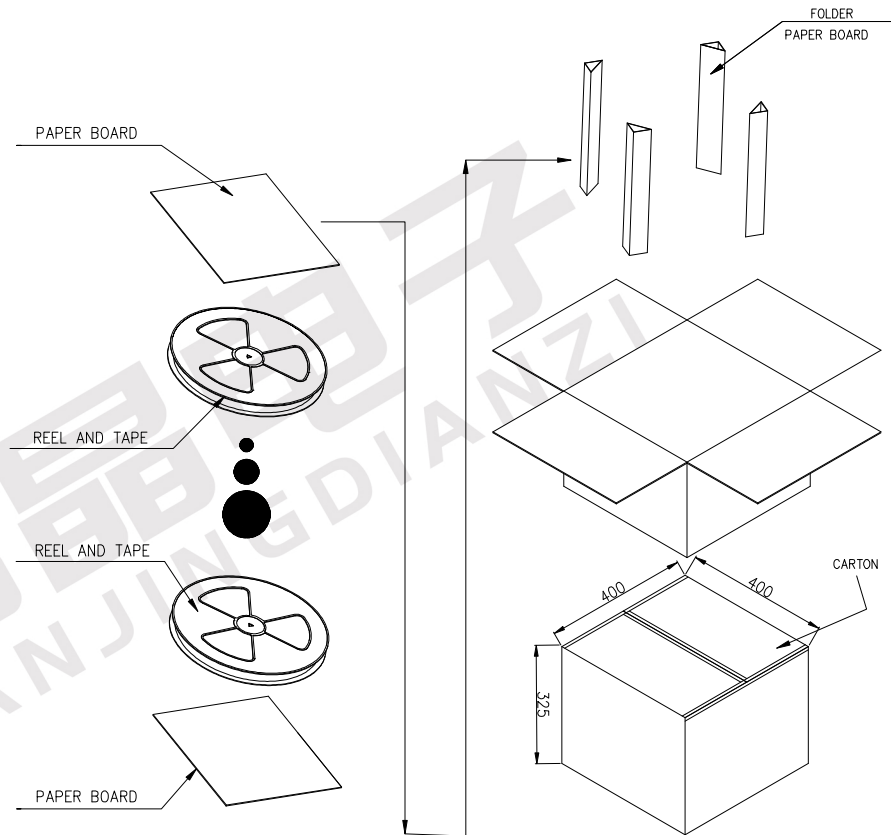
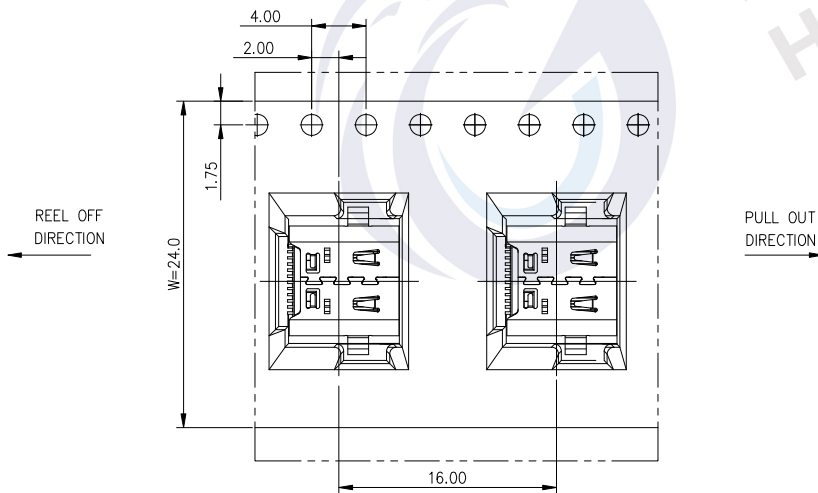
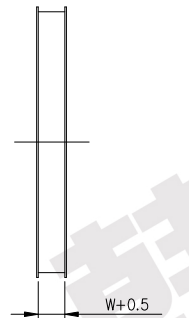
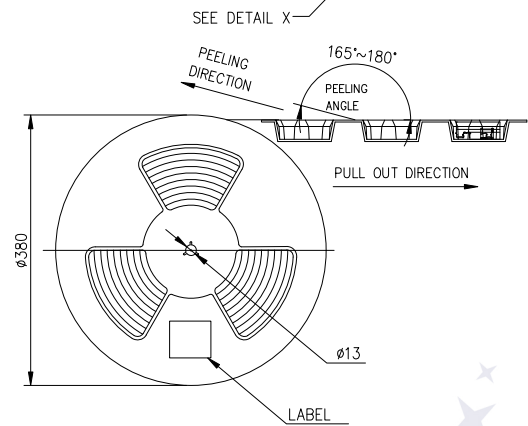
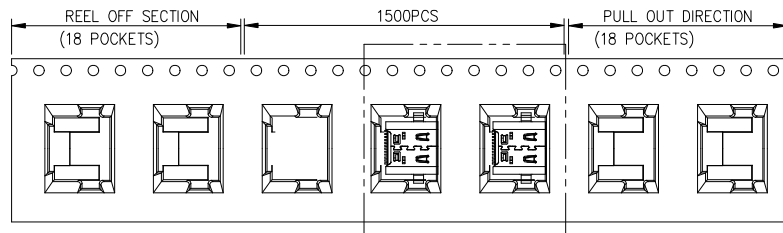
韩晶电子
HANJINGDIANZI

东莞市韩晶电子有限公司

TOLERANCE: X. ±0.30 X.X ±0.25 X.XX ±0.20 X.XXX ±0.15 X.* ±1* X.X* ±0.5*	DESIGN BY : LIUJUN	DATE : 2020.12.15	PART NAME: USB4 Type C 母座 无后盖 单壳 双贴SMT 沉板及DIP 脚CH=0.5,L=9.17
UNIT: mm [inch]	CHECKED BY:	DATE :	PART NO. 126-F243223 - B80-A MOLD NO.
SCALE: 1:1 SIZE: A4	APPROVED BY:	DATE :	DRAW NO. SHEET NO. 02 OF 03

GP Component

REV.	ECN NO.	LOCATIONS	DESCRIPTION	DATE	DESIGN
A0			原始版本(INITIAL EDITION)	2020.12.15	LIUJUN



	REEL	CARTON
CONNECTOR (PCS)	1500	15000



东莞市韩晶电子有限公司

TOLERANCE: X. ±0.25 X.X ±0.20 X.XX ±0.15 X.XXX ±0.10 X." ±1" X.X" ±0.5"	DESIGN BY:	DATE:	PART NAME:
	LIUJUN	2020.12.15	USB4 Type C 母座 无后盖 单壳 双脚SMT 沉板间距CH=0.5,L=9.17 包胶规格
 UNIT: mm [inch] SCALE: 1:1 SIZE: A4	CHECKED BY:	DATE:	PART NO.
			126-F243223 - B80-A
	APPROVED BY:	DATE:	MOLD NO.
			DRAW NO.
			SHEET NO.
			03 OF 03